



1LS3



Enclosed Switches Series LS: Side Rotary with 1.5" to 3.5" Adjustable Length Lever; Nylon Roller; 1NC 1NO SPDT Snap Action, Double Break; 0.5 in - 14NPT conduit; Plug-in

Actual product appearance may vary.

Features

- Mode of operation is field adjustable
- NEMA 1, 3, 4, 6, and 13
- Wide choice of heads and actuators
- Variety of operating characteristics
- Captive screws
- UL and CSA approved parts available

Potential Applications

- Machine tools
- Conveyors
- Material handling
- Metal fabrication equipment
- Lift trucks

Description

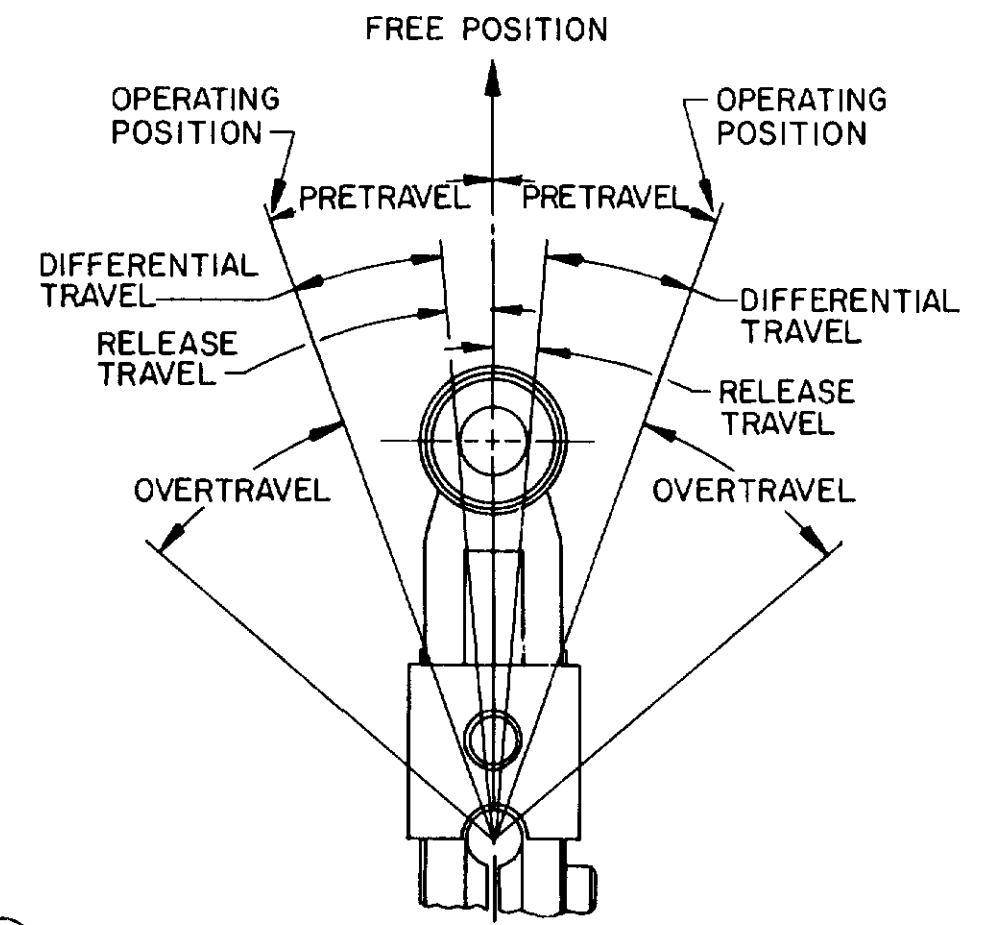
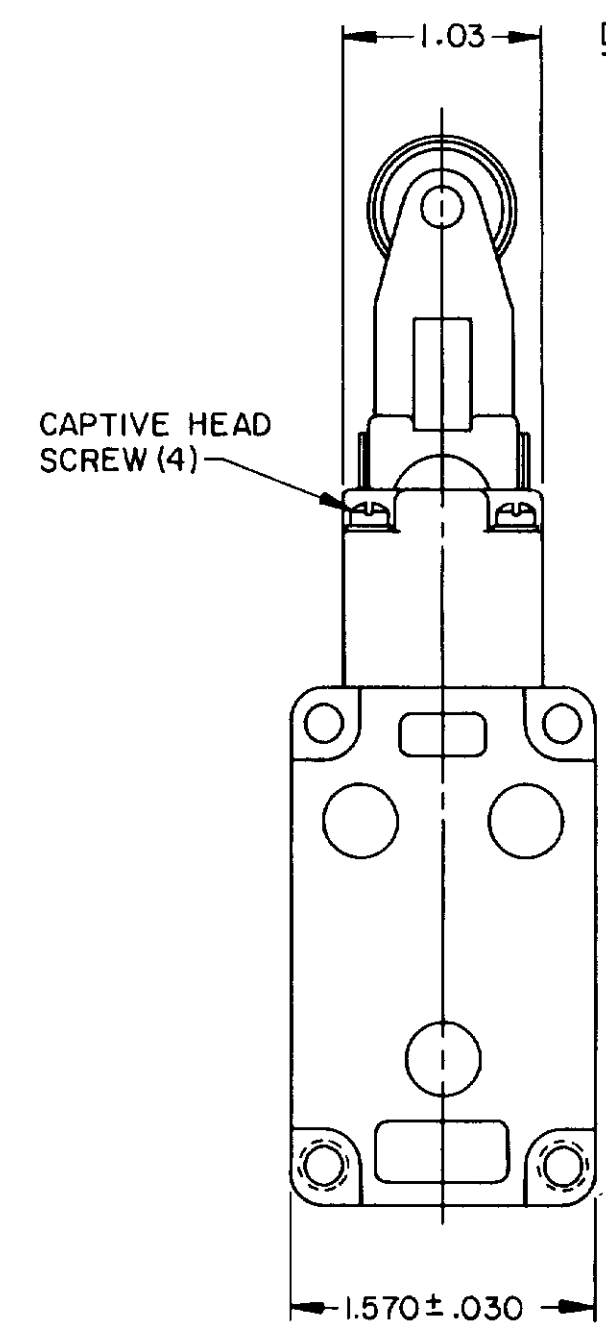
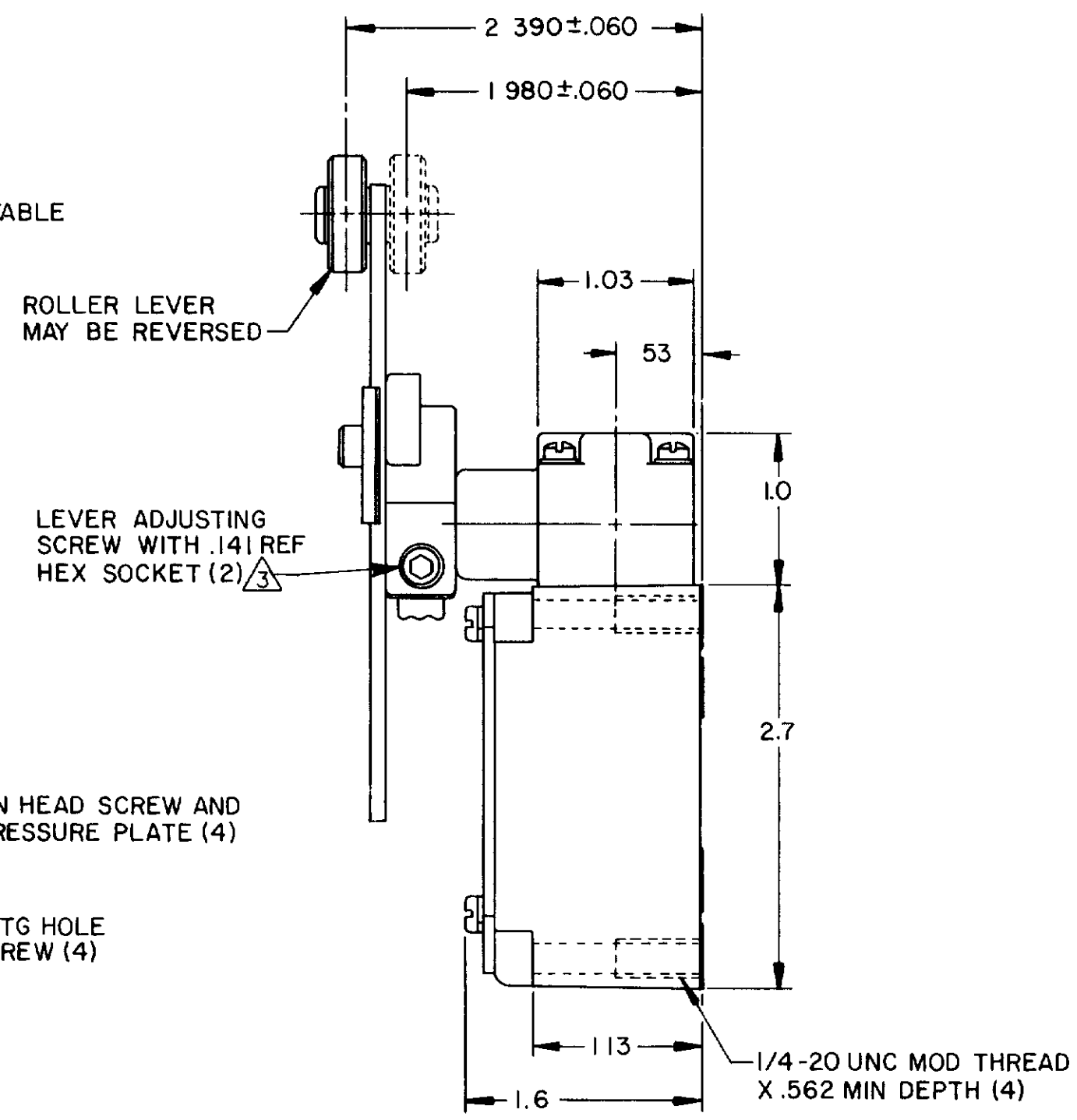
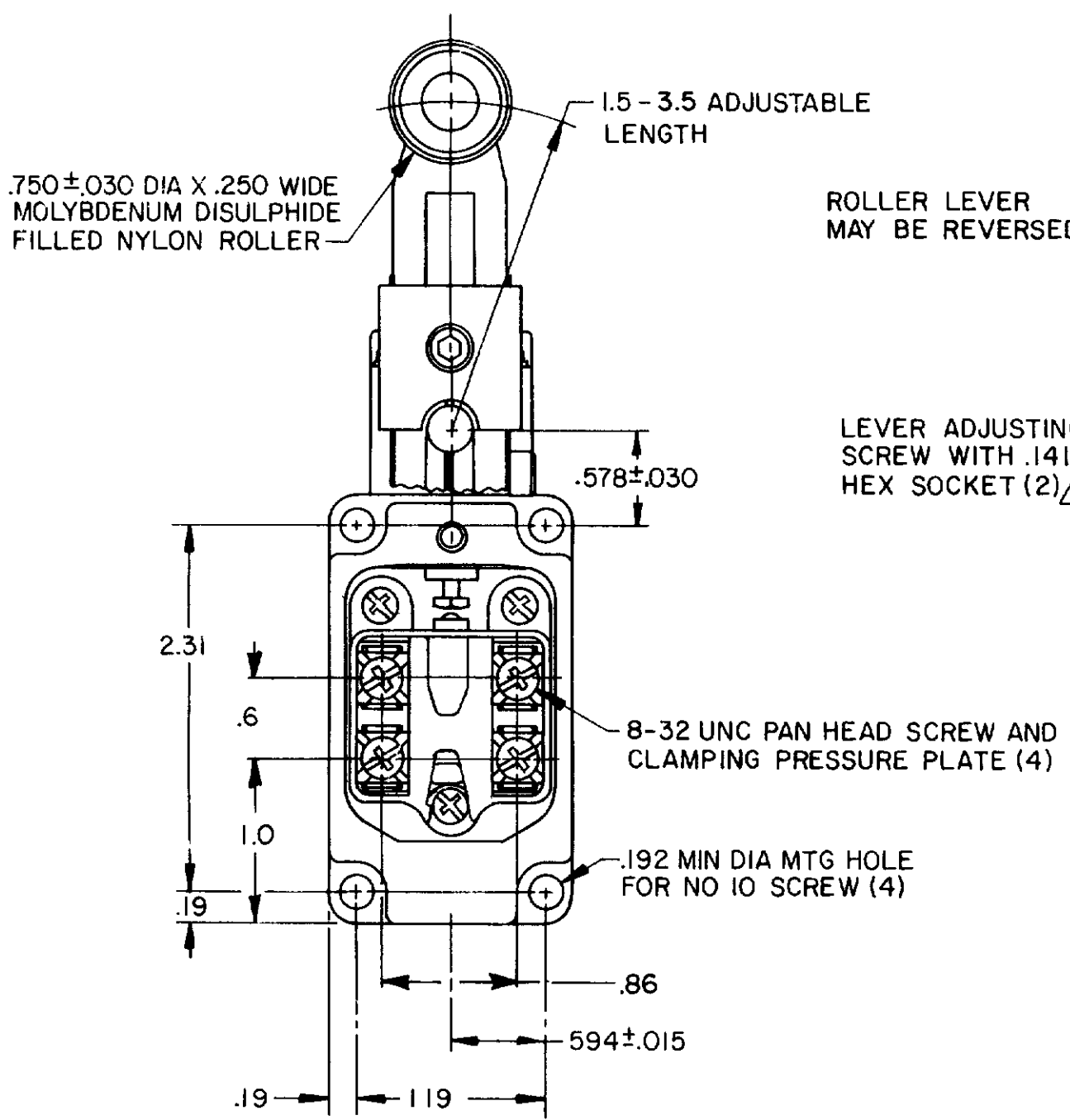
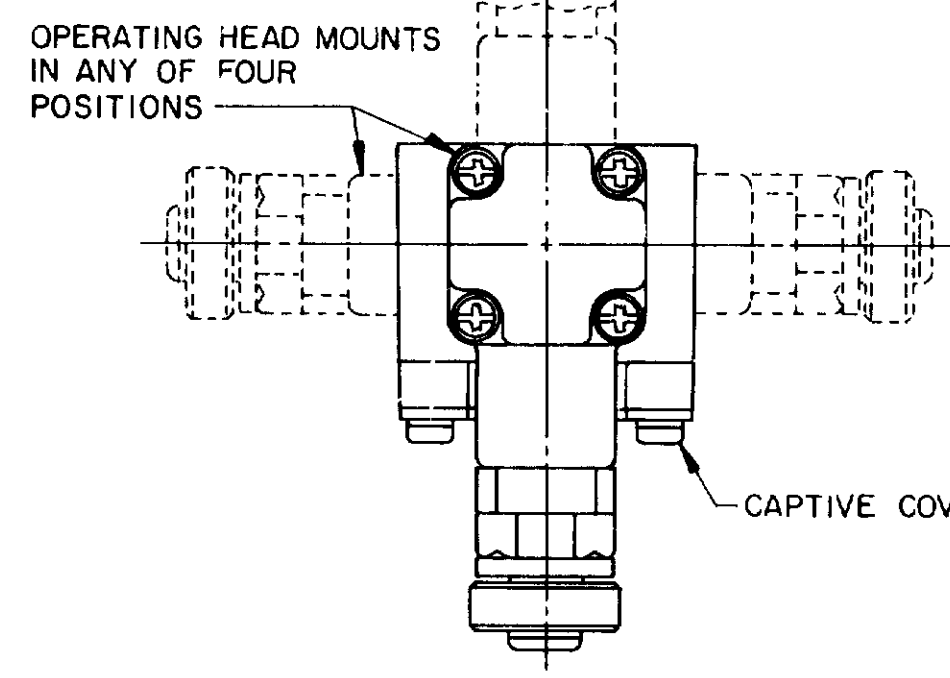
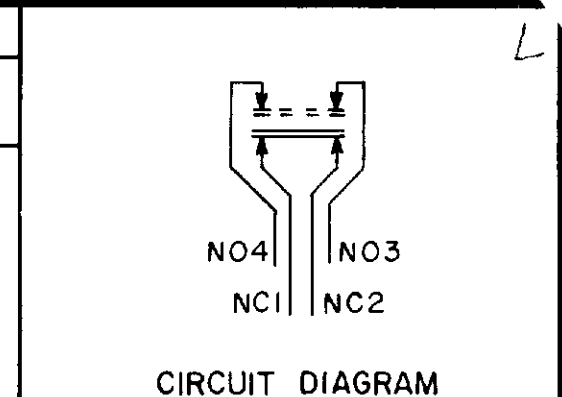
MICRO SWITCH™ compact LS and plug-in 200LS limit switches have a long record of successful performance in industrial applications. The MICRO SWITCH™ LS fits in many places too small for any other fully adjustable limit switch. The MICRO SWITCH™ 200LS switches are the original plug-in concept for reducing downtime by making changeover simple and fast.

| Product Specifications | |
|----------------------------|--|
| Availability | Global |
| Operating Force (O.F.) | 0.51 N m max. [4.5 in lb max.] |
| Full Overtravel Force | 8.13 N m max. [6 in lb max.] |
| Release Force (R.F.) | 0.08 N m min. [0.75 in lb min.] |
| Pretravel (P.T.) | 20° max. |
| Overtravel (O.T.) | 30° min. |
| Differential Travel (D.T.) | 12° max. |
| Product Type | MICRO SWITCH™ Compact Limit Switches |
| Actuator | Side Rotary |
| Lever Style | 1.5 in to 3.5 in Adjustable Length Lever with front mounted Nylon Roller (.75 in dia. x .25 in wide) |

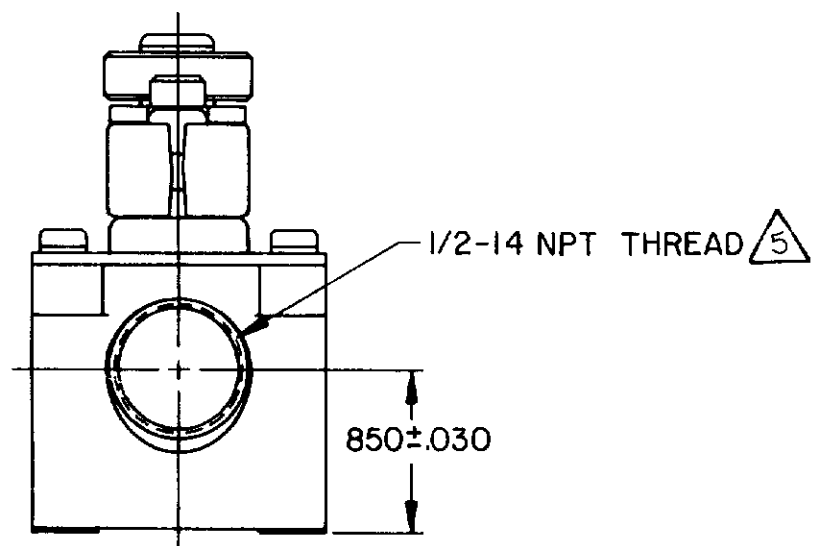
| | |
|-----------------------------|---|
| Circuitry | 1NC 1NO SPDT Snap Action, Double-Break |
| Ampere Rating | 10 A Ind./0.8 A Res./0.4 Res./0.1 A Res. |
| Supply Voltage | 120 Vac. 240 Vac. 480 Vac/115 Vdc/230 Vdc/550 Vdc |
| Housing Material | Zinc Die-Cast |
| Termination Type | 0.5 in - 14NPT conduit |
| Housing Type | Plug-In |
| Series Name | LS |
| Sealing | NEMA 1, 3, 4, 6, 13 |
| Operating Temperature Range | -29 °C to 71 °C [-20 °F to 160 °F] |
| UNSPSC Code | 302119 |
| UNSPSC Commodity | 302119 Switches and controls and relays |
| Sealed | Industrial |

| CHARACTERISTICS |
|--------------------------------------|
| *OPERATING TORQUE-----4.5 IN-LB MAX |
| *FULL OVERTRAVEL TORQUE--6 IN-LB MAX |
| *RELEASE TORQUE-----.75 IN-LB MIN |
| PRETRAVEL-----20° MAX |
| DIFFERENTIAL TRAVEL-----12° MAX |
| OVERTRAVEL-----30° MIN |
| RELEASE TRAVEL-----5° MIN |
| *FORCES TAKEN AT 1.5 LEVER LENGTH |
| SWITCH-BASIC REPLACEMENT--2MN1 |

| ELECTRICAL DATA |
|--|
| CONTACT ARRANGEMENT (SEE CIRCUIT DIAGRAM) |
| 10A-120, 240, OR 480 VAC, 1/3 HP-120 VAC 3/4 HP-240 VAC, 0.8A-115 VDC, 0.4A-230 VDC, 1A-550 VDC PILOT DUTY! 600 VAC MAX |



- NOTES
- SWITCH IS ASSEMBLED FOR ACTUATION IN BOTH DIRECTIONS BUT MAY BE ADJUSTED TO ACTUATE IN THE CLOCKWISE DIRECTION ONLY OR THE COUNTERCLOCKWISE DIRECTION ONLY
 - TO CONVERT SWITCH FOR ACTUATION IN EITHER THE CLOCKWISE OR COUNTERCLOCKWISE DIRECTION ONLY, REMOVE ACTUATOR HEAD AND ROTATE THE NOTCHED PLUNGER 90° TO THE RIGHT FOR CLOCKWISE ACTUATION OR 90° TO THE LEFT FOR COUNTERCLOCKWISE ACTUATION
- Ⓜ ROLLER LEVER MAY BE LOCKED IN ANY POSITION THRU 360°
- ④ LEVER FURNISHED UNASSEMBLED IN UNIT PACKING BOX
- ⑤ SEAL TO BE FURNISHED BY USER



1LS3

MIB

18

REVISIONS

| | | |
|----|---------|----|
| A | 0050486 | |
| T | A | D |
| 10 | DEC 86 | CO |
| B | 84552 | |
| 28 | NOV 89 | CO |
| C | 65814-E | |
| 26 | NOV 90 | CO |
| D | 17031 | |
| 17 | DEC 93 | CO |
| E | 78083 | |
| G | W | |
| 16 | JAN 95 | |

FO-52863-C

TAD 10 DEC 86

THIS DRAWING COVERS A PROPRIETARY ITEM AND IS THE PROPERTY OF MICRO SWITCH A DIVISION OF HONEYWELL THIS DRAWING IS NOT TO BE COPIED OR USED WITHOUT THE APPROVAL OF MICRO SWITCH

MICRO SWITCH
a Honeywell Division

SWITCH - ENCLOSED

CATALOG LISTING
1LS3

FED MFG CODE 91929

| |
|---|
| THIRD ANGLE PROJECTION |
| SCALE FULL |
| DO NOT SCALE PRINT |
| UNLESS OTHERWISE SPECIFIED TOLERANCES ARE |
| ONE PLACE (.0) ±.030 |
| TWO PLACE (.00) ±.015 |
| THREE PLACE (.000) ±.005 |
| ANGLES ± |
| WEIGHT |